

Valves / Manifolds / Hose Conn. Mini Ball Valves

CONSTRUCTIVE PROPERTIES

	STANDARD	OPTIONAL
Sealing	NBR	Viton
Ball	Brass Chrome Plated	-
Handle	Plastic (Red]	Plastic (Blue)
Ball Seats	PTFE (Teflon)	-
Material of Case	Brass - Nickel Plated	-
Hose Connection	Ø 16 X 2	Ø 17 X 2



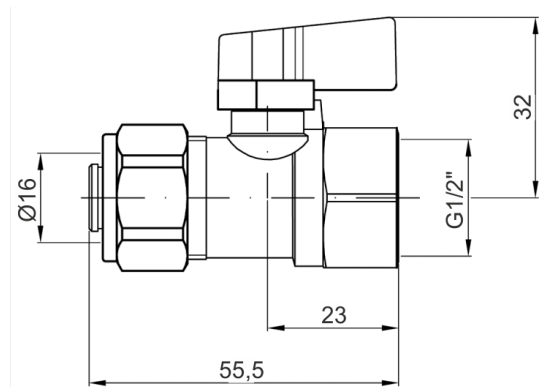
USAGE PROPERTIES

Conformity	-	-
Max. Water Temp.	110 °C	-
Max. Pressure	16 bar	-

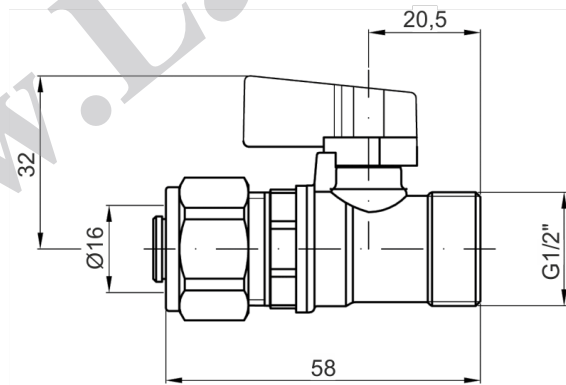
1400012100

www.Laheghi.com

Valves / Manifolds / Hose Conn. Mini Ball Valves



Model No: 1400012100



Model No: 1401012100

PAKKENS® VALF

Manifold & Sub-Floor Heating System Equipment

► Hose Conn. Mini Ball Valves



Usage Temperature

-30°C + 80°C

Usage

With aluminum handle, ø16x2 Plastic pipe connection

Areas of Usage

Water, oil, inflammable gases, air and non-acidic liquids

Nominal Pressure

PN16

Connection Sizes

DIN ISO 228/1

Optional

NPT, BSPT, ø17x2 Plastic Pipe Conn.

Sand Blasted

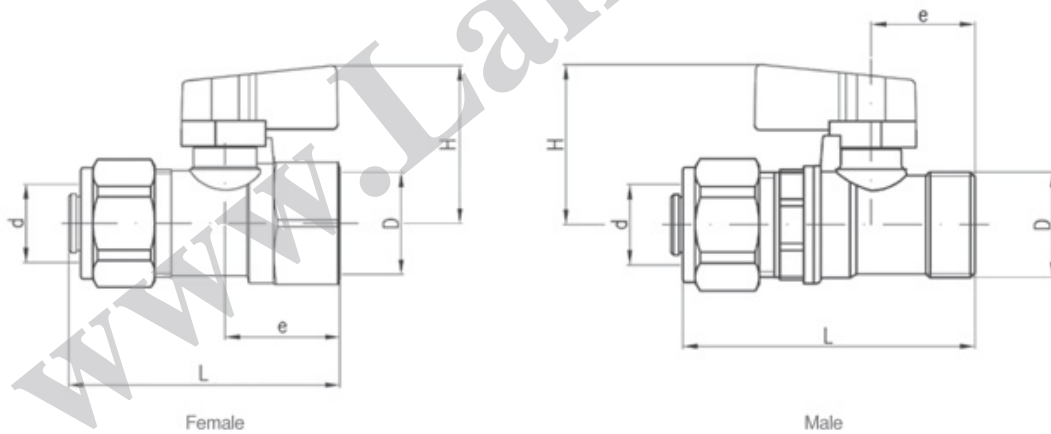
Nickel Plated

PN16

RoHS

TS 3148

TS EN ISO 9001:2008



Connection Sizes

	Code #		D	d	e	H	L	Kg
	Red	Blue						
Female	1400012100	1400012200	G 1/2"	ø 16	23	32	55,5	0,150
Male	1401012100	1401012200	G 1/2"	ø 16	20,5	32	58	0,157